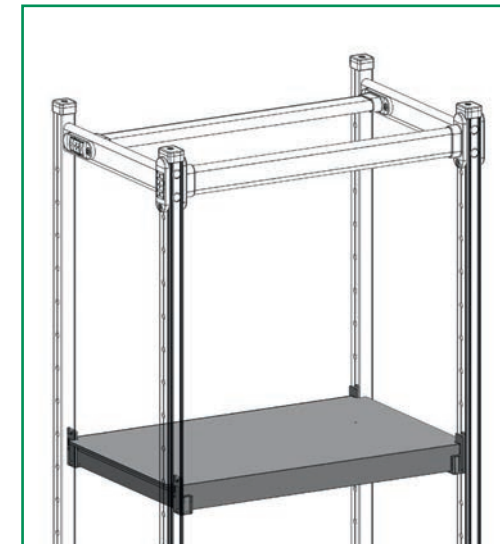


# H+H FLEXSHELF®

Artikelnummer / Part no.	Abmessungen / Measures		Tragfähigkeit / Load capacity	
	Breite / Width	Tiefe / Depth	kg	lbs
7532408-34	300 mm	400 mm	max. 120 kg	max. 264 lbs
7532408-44	400 mm	400 mm	max. 120 kg	max. 264 lbs
7532408-64	600 mm	400 mm	max. 120 kg	max. 264 lbs
7532408-94	900 mm	400 mm	max. 120 kg	max. 264 lbs
7532408-124	1200 mm	400 mm	max. 100 kg	max. 220 lbs
7532408-154	1500 mm	400 mm	max. 100 kg	max. 220 lbs
7532408-36	300 mm	600 mm	max. 120 kg	max. 264 lbs
7532408-46	400 mm	600 mm	max. 120 kg	max. 264 lbs
7532408-66	600 mm	600 mm	max. 120 kg	max. 264 lbs
7532408-96	900 mm	600 mm	max. 120 kg	max. 264 lbs
7532408-126	1200 mm	600 mm	max. 100 kg	max. 220 lbs
7532408-156	1500 mm	600 mm	max. 100 kg	max. 220 lbs



Headquarters Austria/Europe

**H+H SYSTEM GmbH**  
 Wolfgangstrasse 32  
 5350 Strobl/Austria  
 Tel.: +43 6137 21793-0  
 Fax: +43 6137 21793-14  
 info@HHsystem.com



Headquarters USA

**H+H SYSTEM, Inc.**  
 760 Beechnut Drive  
 Pittsburgh, PA 15205  
 Phone 412-922-4437 • 800-477-2123  
 Fax 412-922-4362 • 800-477-9364  
 infousa@HHsystem.com

## H+H FLEXSHELF FACHBODEN-SET

### H+H FLEXSHELF-SET SHELF

Montageanleitung / Assembly Instructions

Assembly Instruction



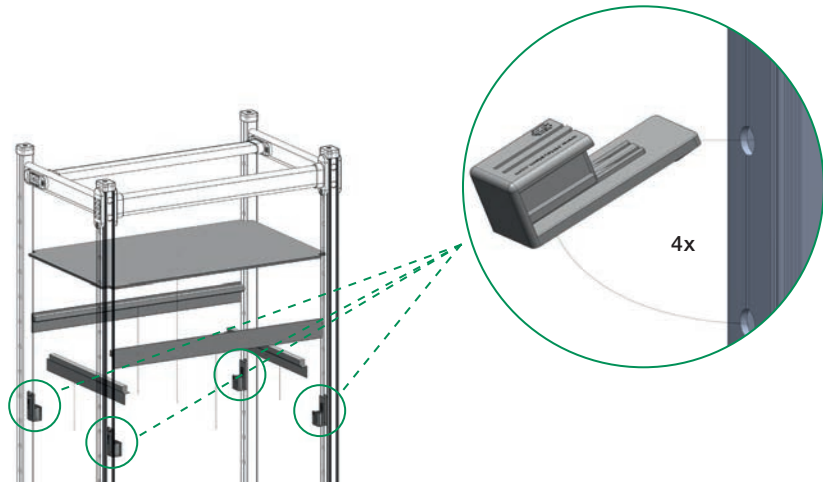
Montageanleitung

[www.HHsystem.com](http://www.HHsystem.com)

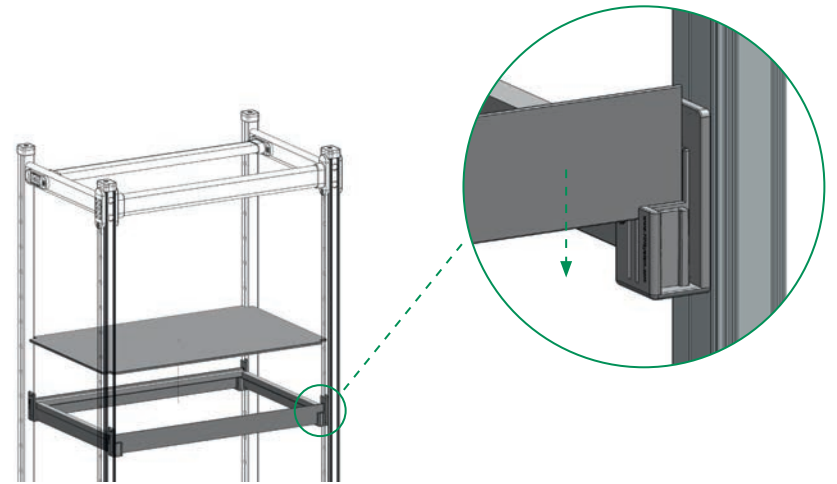
[www.isomodulsystem.com](http://www.isomodulsystem.com)



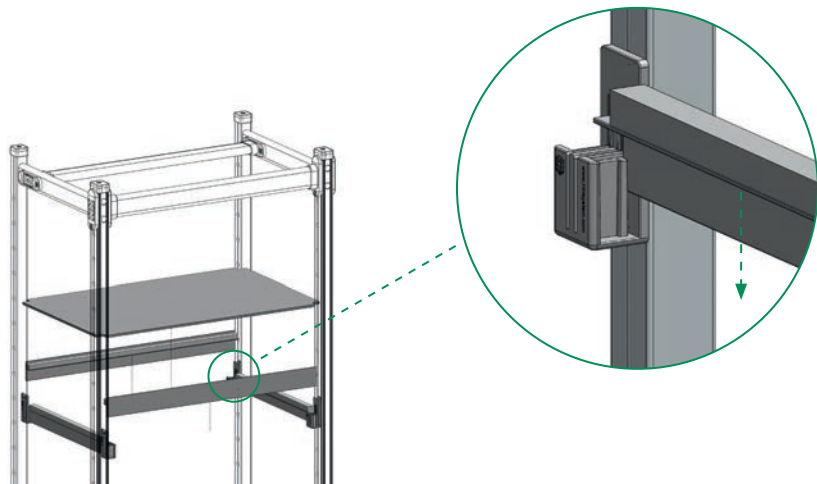
1



3



2



4

